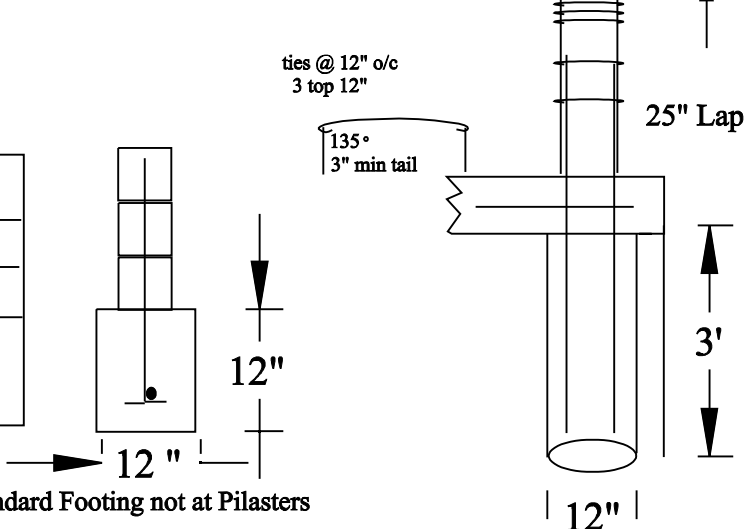


Bend Alt. Tails on Vert. Bars { 3" clear all steel to earth }

3'-0"	2-#4	2'6"
4' to	2-#4	2'9"
5'	2-#5	3'0"
6'-0"	STEEL REQUIRED	PILASTER DEPTH

WALL
HEIGHT



City of Lompoc Pilaster Wall Detail

24 Hr. Inspection Line 736-9694