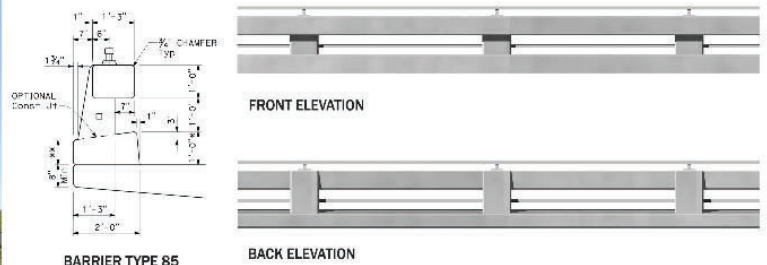


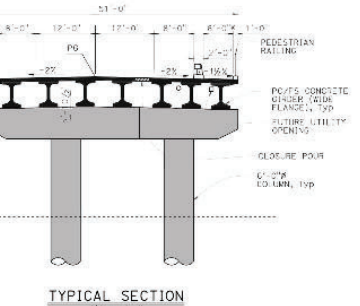
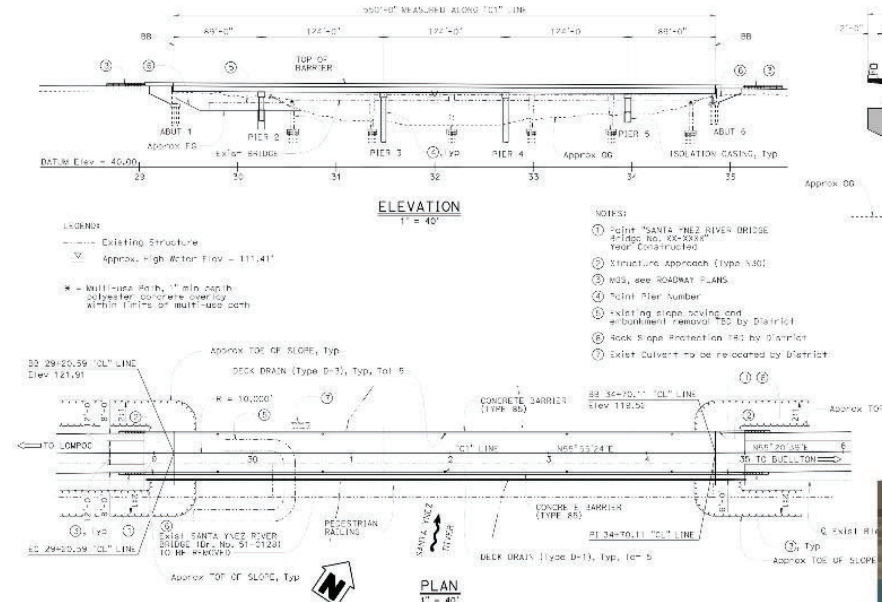
Figure 3-1. Bridge Design Option 1



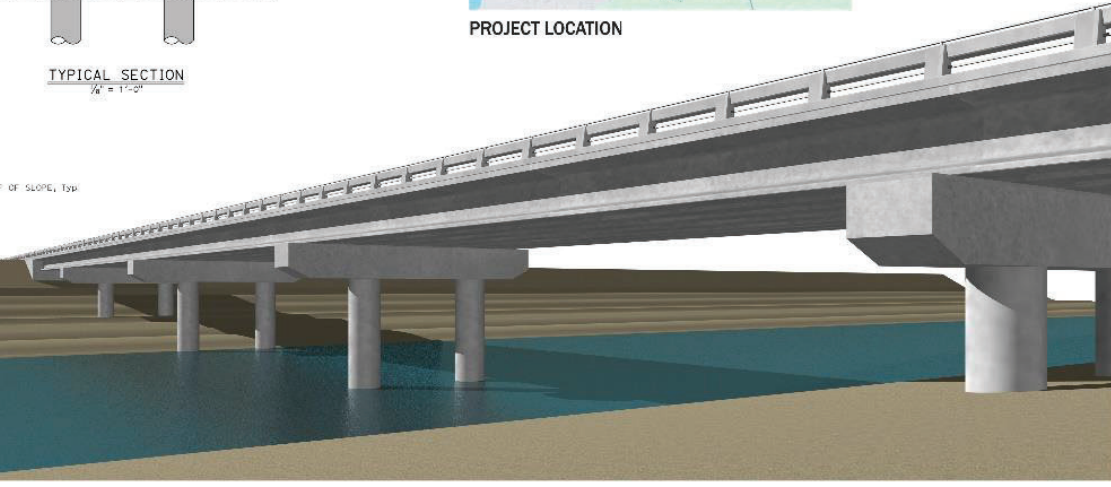
DESIGN OPTION 1 PHOTO SIM



EXISTING BRIDGE BARRIER



PROJECT LOCATION

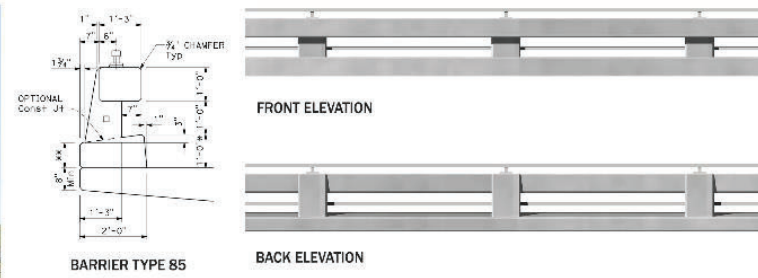


ROBINSON BRIDGE REPLACEMENT PROJECT
 DESIGN OPTION 1 Prepared by:
 DES, Bridge Architecture and Aesthetics

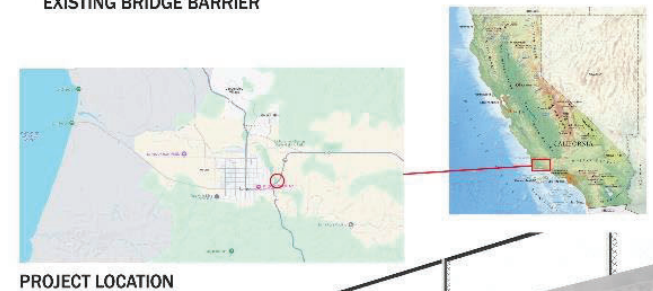
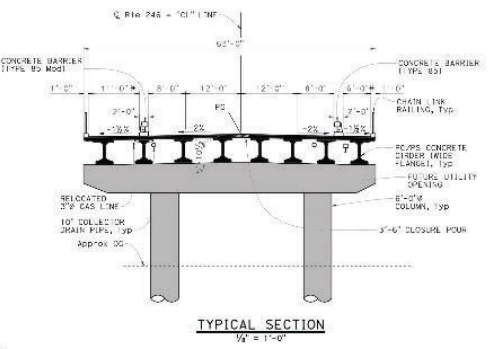
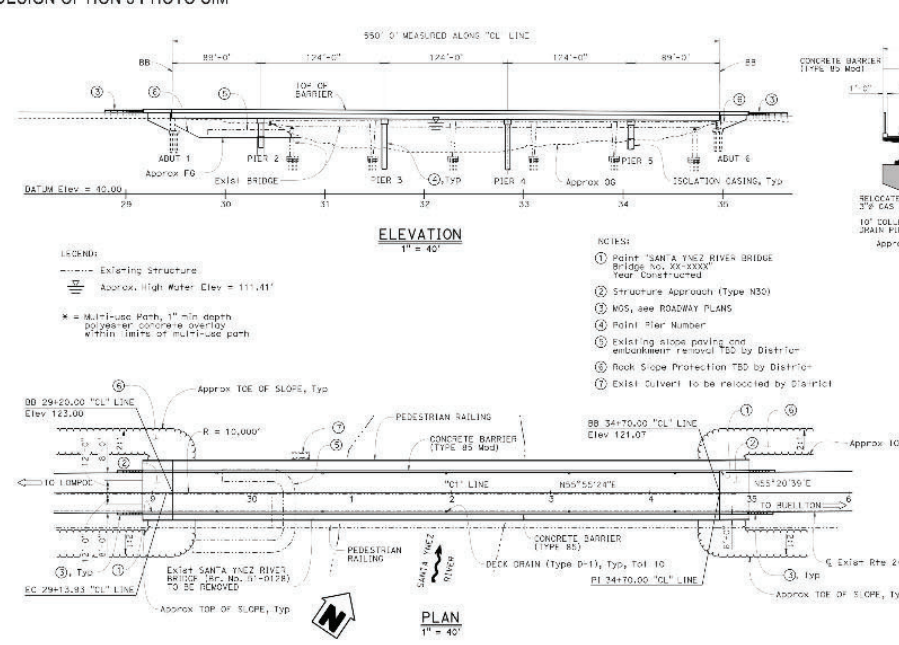
Figure 3-3. Design Option 3



DESIGN OPTION 3 PHOTO SIM



EXISTING BRIDGE BARRIER

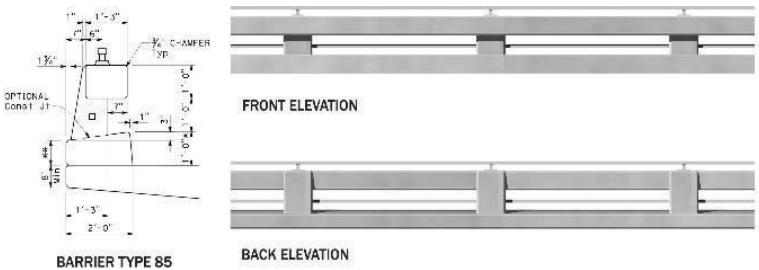


ROBINSON BRIDGE REPLACEMENT PROJECT
 DESIGN OPTION 3
 Prepared by: DES, Bridge Architecture and Aesthetics

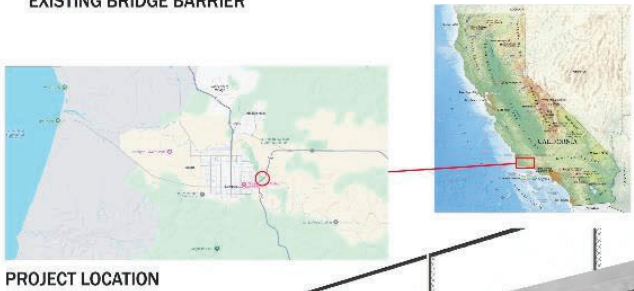
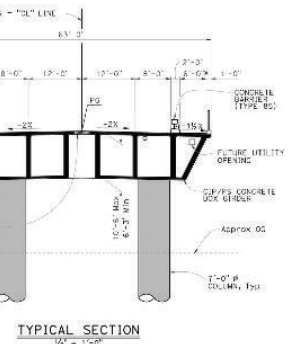
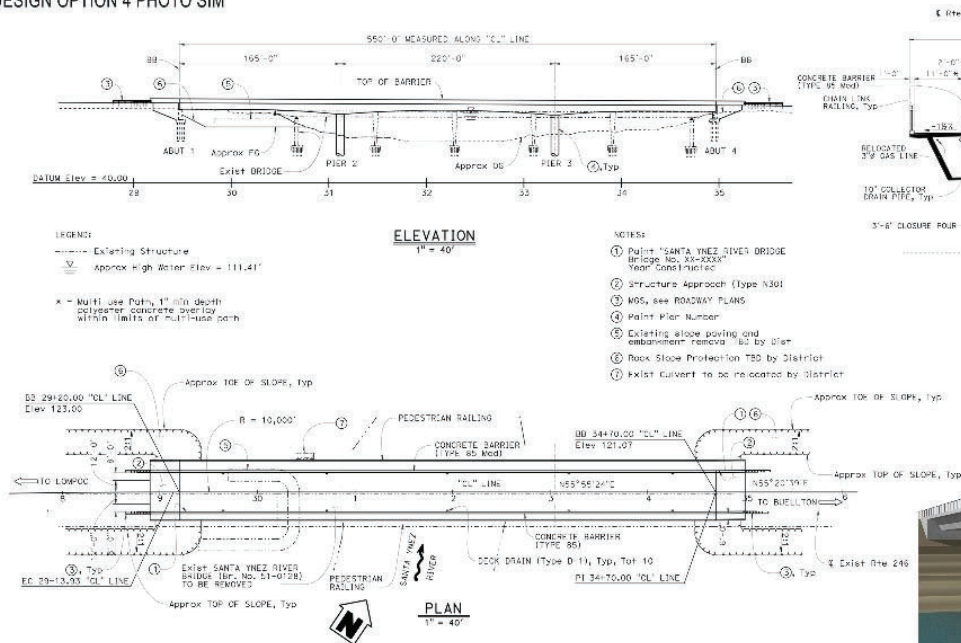
Figure 3-4. Bridge Design Option 4



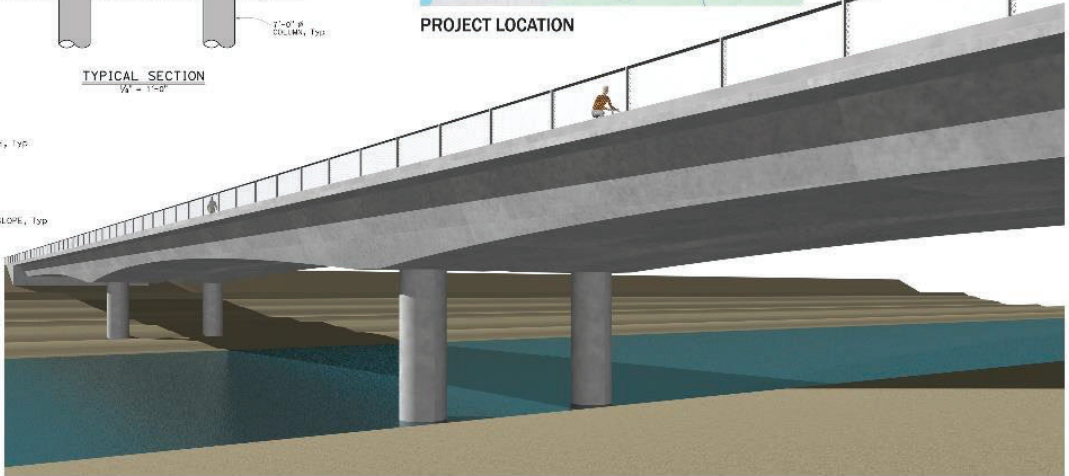
DESIGN OPTION 4 PHOTO SIM



EXISTING BRIDGE BARRIER



PROJECT LOCATION



Robinson Bridge Replacement Project
 DESIGN OPTION 4
 Prepared by:
 DES, Bridge Architecture and Aesthetics